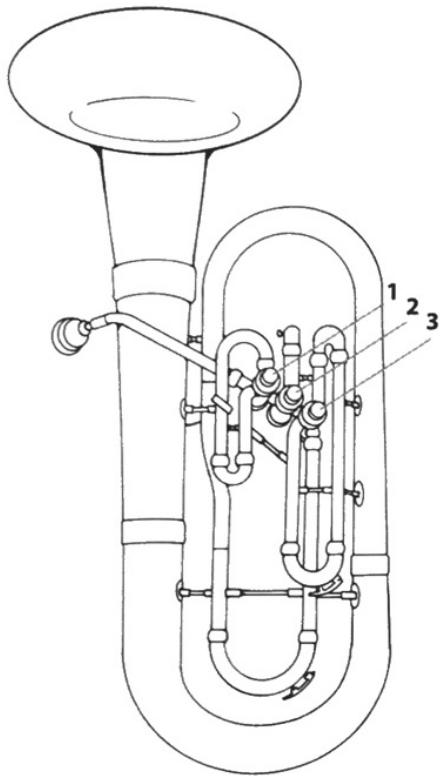


Baritone/Euphonium B.C. Fingering Chart

The numbers indicate which valves should be pressed down.

0 = no valves pressed down

Baritone

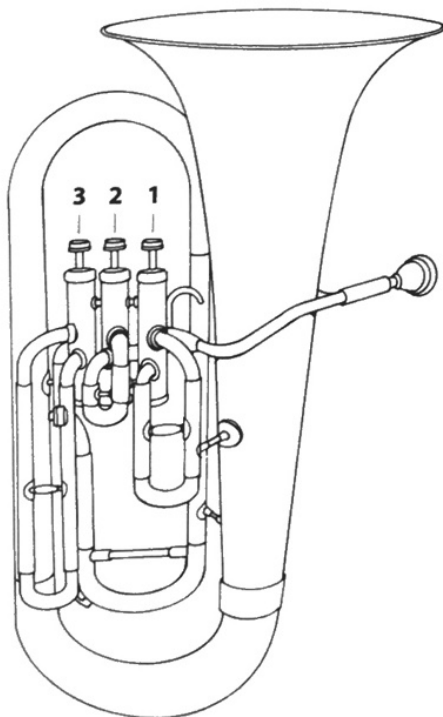


E F \flat	F	F \sharp G \flat	G
1 2 3	1 3	2 3	1 2

G \sharp A \flat	A	A \sharp B \flat	B C \flat
1	2	0	1 2 3

B \sharp C	C \sharp D \flat	D	D \sharp E \flat
1 3	2 3	1 2	1

Euphonium



E F \flat	E \sharp F	F \sharp G \flat	G
2	0	2 3	1 2

G \sharp A \flat	A	A \sharp B \flat	B C \flat	B \sharp C
1	2	0	1 2	1

C \sharp D \flat	D	D \sharp E \flat	E F \flat	E \sharp F
2	0	1	2	0