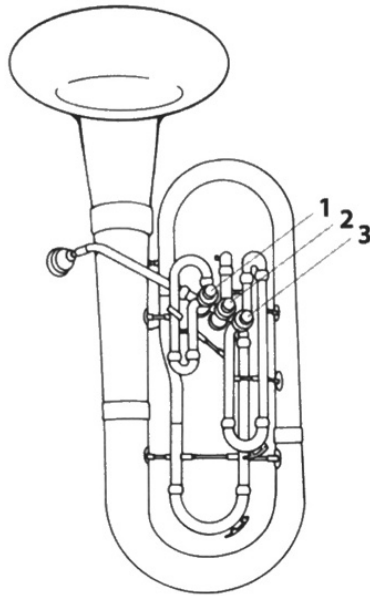


# Baritone/Euphonium T.C. Fingering Chart

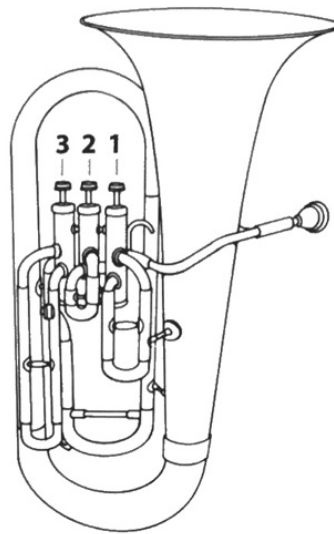
The numbers indicate which valves should be pressed down.

0 = no valves pressed down

Baritone



Euphonium



|       |     |       |     |       |
|-------|-----|-------|-----|-------|
| F# Gb | G   | G# Ab | A   | A# Bb |
|       |     |       |     |       |
| 1 2 3 | 1 3 | 2 3   | 1 2 | 1     |

|      |      |       |     |       |
|------|------|-------|-----|-------|
| B Cb | B# C | C# Db | D   | D# Eb |
|      |      |       |     |       |
| 2    | 0    | 1 2 3 | 1 3 | 2 3   |

|      |      |       |   |       |
|------|------|-------|---|-------|
| E Fb | E# F | F# Gb | G | G# Ab |
|      |      |       |   |       |
| 1 2  | 1    | 2     | 0 | 2 3   |

|     |       |      |      |       |
|-----|-------|------|------|-------|
| A   | A# Bb | B Cb | B# C | C# Db |
|     |       |      |      |       |
| 1 2 | 1     | 2    | 0    | 1 2   |

|   |       |      |      |       |   |
|---|-------|------|------|-------|---|
| D | D# Eb | E Fb | E# F | F# Gb | G |
|   |       |      |      |       |   |
| 1 | 2     | 0    | 1    | 2     | 0 |